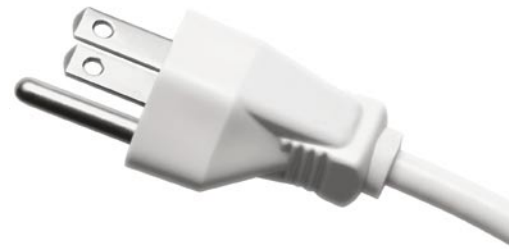
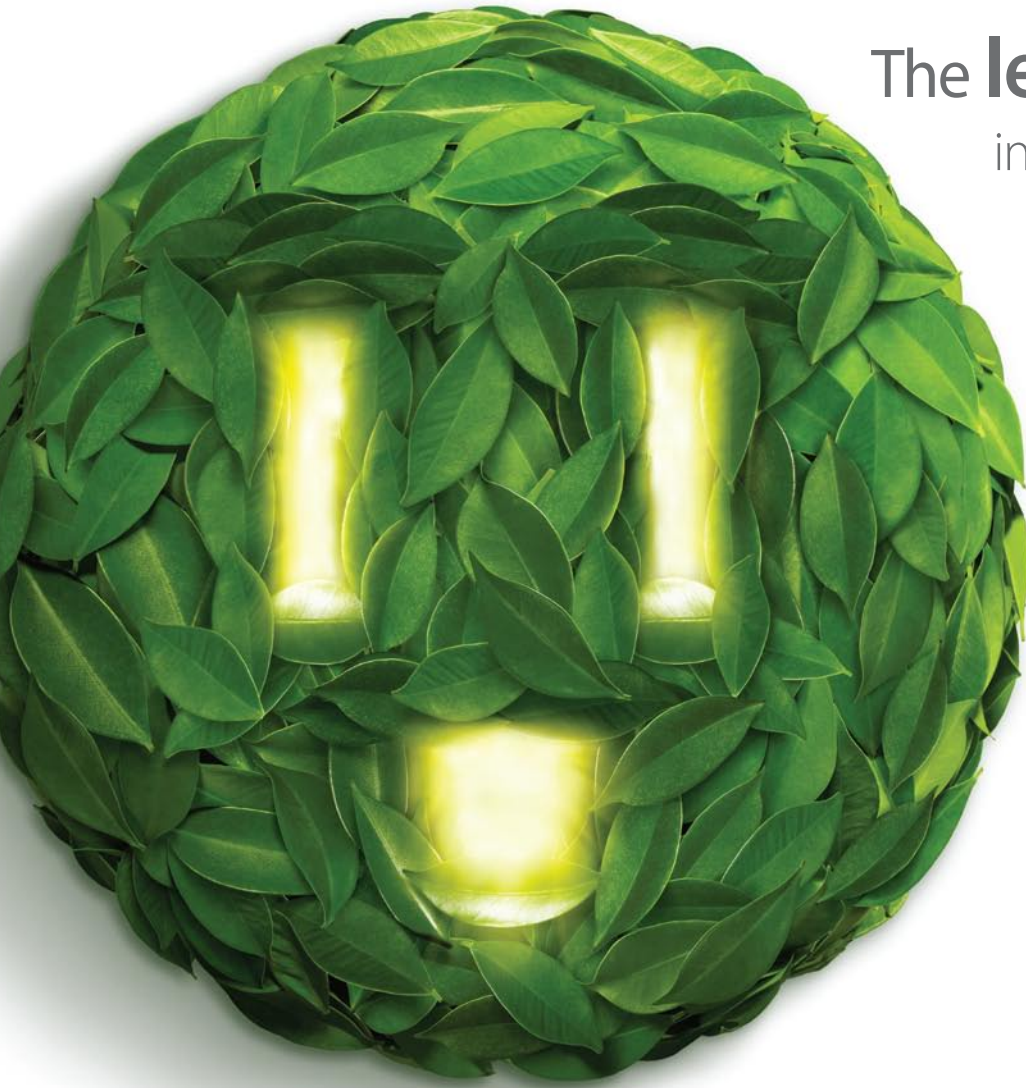


The **leading** force
in **green** power



EcoDuo PM240P00

Multi-crystalline Photovoltaic Module

220W
250W

Power Range

220-250 Wp



Highly Strengthened Design

Module complies with advanced loading tests to meet 5400 Pa loading requirements

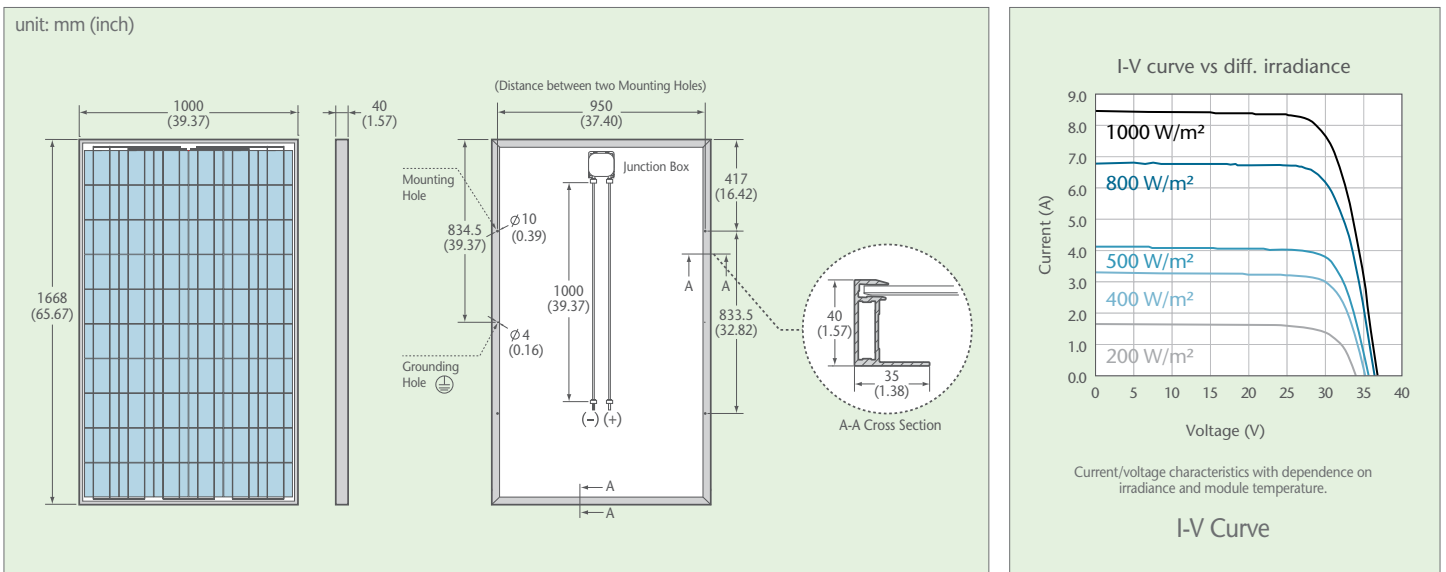


Resistance to Salt Corrosion and Humidity

Module complies with IEC 61701: Salt Mist Corrosion Testing



EcoDuo PM240P00 (220-250 Wp)



Electrical Data

	220 Wp	225 Wp	230 Wp	235 Wp	240 Wp	245 Wp	250 Wp
Typ. Nominal Power P_N	220 Wp	225 Wp	230 Wp	235 Wp	240 Wp	245 Wp	250 Wp
Typ. Module Efficiency	13.39%	13.71%	13.80%	14.10%	14.39%	14.69%	14.99%
Typ. Nominal Voltage V_{mp} (V)	28.73	28.91	29.23	29.44	29.65	29.87	30.08
Typ. Nominal Current I_{mp} (A)	7.78	7.91	7.94	8.02	8.10	8.18	8.26
Typ. Open Circuit Voltage V_{oc} (V)	36.37	36.79	37.01	37.21	37.42	37.63	37.83
Typ. Short Circuit Current I_{sc} (A)	8.36	8.46	8.49	8.55	8.62	8.68	8.75
Maximum Tolerance of P_N	0 / +3%						

• Above data are the effective measurement at Standard Test Conditions (STC)
 • STC: irradiance 1000W/m², spectral distribution AM 1.5, temperature 25 ± 2° C, in accordance with EN 60904-3

• The given electrical data are nominal values which account for basic measurements and manufacturing tolerances of ±10%, with the exception of P_N . The classifications is performed according to P_N

Temperature Coefficient

NOCT	46 ± 2° C
Typ. Temperature Coefficient of P_N	-0.44% / K
Typ. Temperature Coefficient of V_{oc}	-0.32% / K
Temperature Coefficient of I_{sc}	0.04% / K

• NOCT: Normal Operation Cell Temperature, measuring conditions: irradiance 800W/m², AM 1.5, air temperature 20° C, wind speed 1m/s

Operating Conditions

Operating Temperature	-40...+80° C
Ambient Temperature Range	-40...+45° C
Max. System Voltage IEC/UL	1000 V / 600 V
IP Protection Level	IP 65
Serial Fuse Rating	15 A
Maximum Surface Load Capacity	Tested up to 5400 Pa according to IEC 61215 (advanced test)

Mechanical Characteristics

Dimensions (L x W x H)	1668 x 1000 x 40 mm (65.67 x 39.37 x 1.57 inches)
Weight	20 kg (44.1 lbs)
Front Glass	High transparent solar glass (tempered), 3.2 mm (0.13 inches)
Cell	60 multicrystalline solar cells, 156 mm x 156 mm (6" x 6")
Cell Encapsulation	EVA
Back Sheet	Composite film
Frame	Anodized aluminum frame
Junction Box	Junction box with 3 bypass diodes
Cables	1 x 4 mm ² (0.04 x 0.16 inch ²), length: each 1.0 m (39.37 inches)
Connector Type	Tyco plug

Warranties and Certifications

Product Warranty	Maximum 10 years for material and workmanship
Performance Guarantee	Guaranteed output of 90% for 10 years and 80% for 25 years
Certifications	According to IEC 61215, IEC 61730 and UL 1703 guidelines *

* Please confirm other certifications with AUO official dealers



AU Optronics Corporation

No. 1, Li-Hsin Rd. 2, Hsinchu Science Park, Hsinchu 30078, Taiwan
 Tel: +886-3-500-8899 Email: solar@auo.com www.AUO.com www.AUOsolar.com

AUO Green Solutions
 Printed with Soy Ink

